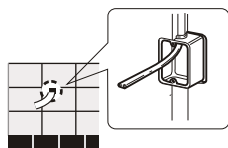


Installation Method

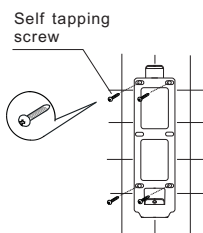
First Fix

- A Recessed Junction box should be installed to allow hand dryer to sit flush with the wall.



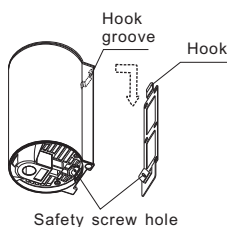
Mounting Back Plate

- Drill mounting holes according to the area that the back plate is installed in (see Overleaf) & mount the back plate



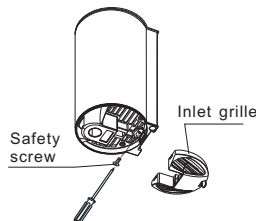
Mounting

- Mount the Hand Dryer onto the back plate ensuring that the anti-theft screw holes are aligned on both the Hand Dryer and the back plate.
- Connect the electrical cables and ensure correct Polarity.



Anti-Theft

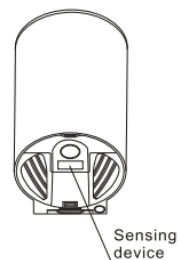
- Screw the anti-theft screw into the threaded holes to fix the Hand Dryer to the back plate.
- Attach the air intake grill to the Hand Dryer making sure it is securely fastened.
- Test Hand Dryer



Daily Use & Maintenance

External Maintenance:

- Regularly clean cover with a soft cloth, do not use harsh detergents, Acid or Alkali Based Cleaning products or cleaning brushes as they may damage the cover finish.
- If using a chemically impregnated cloth, please test on an inconspicuous area prior to use to check suitability.

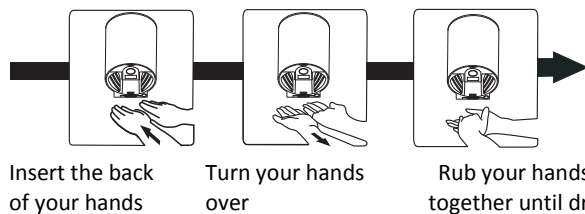


Internal Maintenance

- After turning off the power supply, remove cover and check all connections,
- Clean away any dirt that has deposited inside the hand dryer and clean the air filter.
- Remove the motor housing and check the brushes on the motor for wear. **Replace worn Brushes.**

Please note: Brushes are a consumable item and are not covered under warranty

Method Of Operation:



Insert the back of your hands

Turn your hands over

Rub your hands together until dry

Packing List

ATC Cub Hand Dryer 5mm	User Manual
Plastic wall plug x4 30mm	Allen Key
Self Tapping Screws x4	

For Sales and Service enquiries please contact **atc** on the numbers below.

atc
ELECTRICAL &
MECHANICAL
Heating & Ventilation Division

atc House,
Broomhill Drive
Tallaght
Dublin 24
IRELAND

PH 003531 4625111
FX 003531 4520887
Email: sales@atc.ie

www.atc.ie

ATC CUB HIGHSPEED Hand Dryer Z-2651W/M/BL

atc

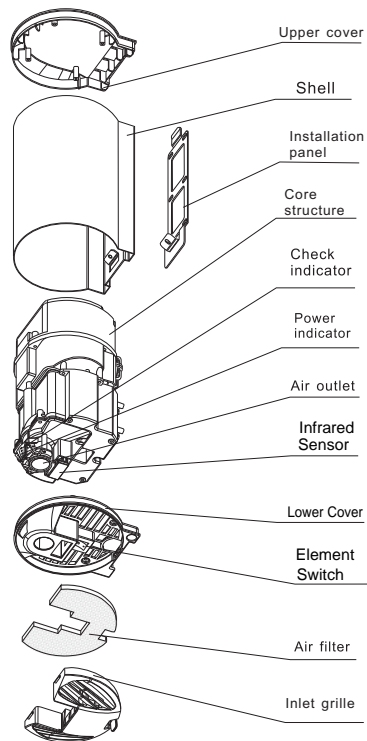
Specification

Voltage	230v ~ 50Hz	Motor	Brush Motor
Phase	1Φ	Sensor Range	15-20cm
Load	1150W	IP Class	IPX1
Air Speed	65m/s	Size (mm)	280x153x162
Heat level	650w-750w	Nett Weight	3.2kg

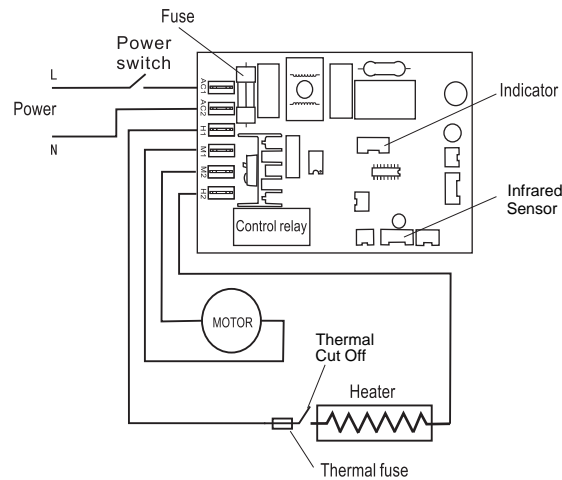
Features

- Infra-Red operated Hygienic High Speed hand dryer
- Solid Stainless Steel or Cast Aluminium Cover
- Auto stop Function after 40s to prevent overrun

Product Description



Circuit Diagram



Environmental Protection



Waste electrical products should not be disposed of with household waste, please recycle this product where the facilities exist. Please check with your local authority

Warranty

ATC Electrical & Mechanical provides a 12 months limited parts warranty for the Z-2651W/M/BL as long as the following conditions are followed:

Installation and use of the hand dryer is in accordance with the instruction manual, which is packed with hand dryer. In order to arrange service for the hand dryer the following information is required.

Receipt number:

Date of Manufacture:

Date of Purchase:

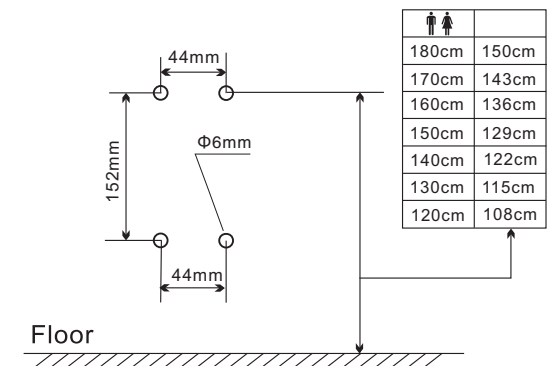
Precautions before installation

Do not install in the following locations; Installation in these areas can cause the unit to malfunction

- Areas with Temperatures below 0°C or above 40°C
- In direct Sunlight or areas above reflective surfaces
- Areas where the unit can come into direct contact with water
- Above counters or sinks
- Areas of High moisture and Humidity levels
- Locations containing Corrosive or Oxidizing gasses
- Areas at Altitude above 2000m

Installation Location

- The Chart below shows the recommended mounting height for the Hand Dryer.
- Make sure the dryer is mounted more than 150mm away from walls on either side of the dryer.
- Ensure the wall the hand dryer is mounted on is flat and smooth.
- Do not mount the unit behind doors where the opening of the door may damage the dryer
- Do not install the dryer with the power connected; the dryer must be connected by a qualified electrician when being installed.



The power cord Supplying the hand dryer should be at least 1.5m² 2 Core & Earth